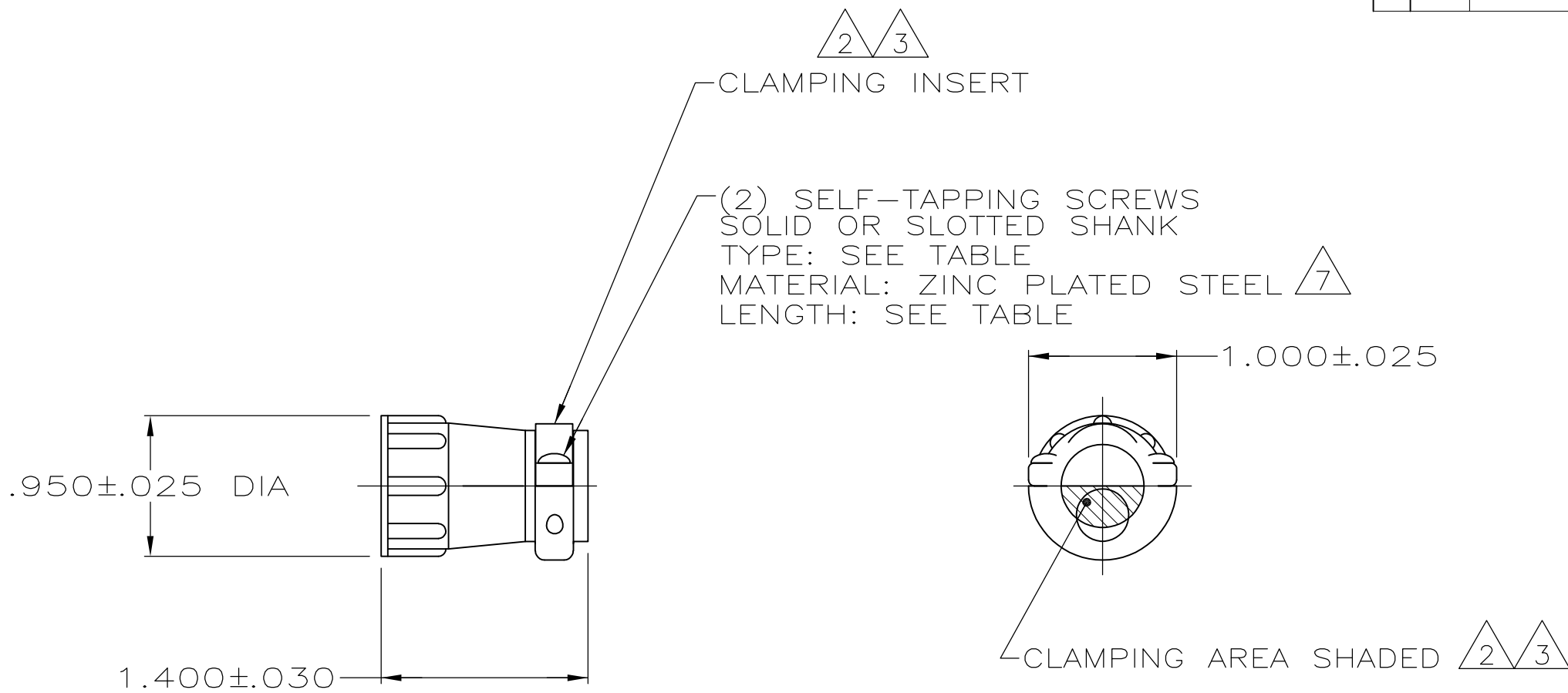


THIS DRAWING IS UNPUBLISHED. RELEASED FOR PUBLICATION
 © COPYRIGHT BY TYCO ELECTRONICS CORPORATION. ALL INTERNATIONAL RIGHTS RESERVED.

| | | | | | | | |
|-----|------|-----------|-----|---------------------------|---------|-----|------|
| LOC | DIST | REVISIONS | | | | | |
| FT | 0 | P | LTR | DESCRIPTION | DATE | DWN | APVD |
| | | M | | REVISED PER ECO-08-029122 | 22NOV08 | HMR | MS |



| | | | | | | |
|---|---|---|---------------------|----------------------|------------|-------------|
| 2 | 7 | 5 | BULK | $.50 \pm .05$ | #5-20 | 206966-9 |
| 2 | 7 | | SMALL PACK | $.50 \pm .05$ | #5-20 | 206966-8 |
| 2 | 7 | | INDIVIDUAL | $.50 \pm .05$ | #5-20 | 206966-7 |
| | 7 | | SMALL PACK | $.50 \pm .05$ | #5-20 | 206966-6 |
| 2 | | | AMP BRAZIL USE ONLY | $12\text{mm} \pm .8$ | 3mm-20 | 6 206966-5 |
| | | | INDIVIDUAL | $.50 \pm .05$ | #5-20 | 6 206966-4 |
| | 7 | 5 | BULK | $.50 \pm .05$ | #5-20 | 206966-2 |
| | 7 | | INDIVIDUAL | $.50 \pm .05$ | #5-20 | 206966-1 |
| | | | PACKAGING | SCREW LENGTH | SCREW TYPE | PART NUMBER |

- 1 PARTS PACKAGED UNASSEMBLED.
- 2 CABLE CLAMPING AREA ADJUSTABLE FROM .010 TO .161 SQ IN BY REVERSING CLAMPING INSERTS. (2 INSERTS SUPPLIED).
- 3 CABLE CLAMPING AREA ADJUSTABLE FROM .010 TO .161 SQ IN BY CHANGING CLAMPING INSERTS. (4 INSERTS SUPPLIED, -4 ONLY).
- 4 .453 MAXIMUM CABLE OUTSIDE DIAMETER.
- 5 BULK PACKAGED KITS TO BE ORDERED IN MULTIPLES OF 200 ONLY.
- 6 OBSOLETE PART NUMBER.
- 7 ZINC PLATED NON-HEXAVALENT CHROMATE.

| | | | | | | |
|--|--|------------------|---------|---|------------------------------|------------|
| THIS DRAWING IS A CONTROLLED DOCUMENT. | | DWN | 4/23/91 | | Tyco Electronics Corporation | |
| DIMENSIONS: INCHES | | CHK | 7-23-92 | | Harrisburg, PA 17105-3608 | |
| TOLERANCES UNLESS OTHERWISE SPECIFIED: | | W.G.LENKER | | CABLE CLAMP KIT, STANDARD, SHELL SIZE 13, CPC | | |
| 0 PLC ± - | | APVD - | | NAME | | |
| 1 PLC ± - | | PRODUCT SPEC | | SIZE | | |
| 2 PLC ± - | | 108-10024 | | CAGE CODE | | DRAWING NO |
| 3 PLC ± - | | APPLICATION SPEC | | A300779 | | C=206966 |
| 4 PLC ± - | | WEIGHT - | | RESTRICTED TO | | |
| ANGLES ± - | | CUSTOMER DRAWING | | SCALE NTS | | |
| FINISH - | | THERMOPLASTIC | | SHEET 1 OF 1 | | REV M |